



INDUSTRIAL DUTY

Stainless Steel Straight Centrifugal Pumps

- **Stainless Steel Construction**
- **Viton® Mechanical Seal and O-Ring**
- **Investment Cast Stainless Steel Impeller**
- **High Head and High Volume Models**
- **Max. Working Pressure 150 PSI**
- **Max. Temperature 200° F**
- **Max. Flow 156 GPM**
- **Max. Head 145 Ft.**
- **Chemical Resistant Design**
- **Discharge Port Rotates in 90° Increments**
- **Available with Open Drip Proof (ODP) or Totally Enclosed Fan Cooled (TEFC) Motors**
- **1/2 HP to 3 HP Single and Three (3) Phase 3450 RPM Motors**
- **553 Series: 1.5" x 1.25" Ports**
- **549 Series: 2" x 1.5" Ports**
- **548 Series: 1.5" x 1.25" Ports**
- **547 Series: 1.25" x .75" Ports**

The AMT line of Stainless Steel Straight Centrifugal pumps is designed for continuous duty high flow and high pressure applications including chemical processing, liquid transfer, cooling, pressure boosting, circulating and applications requiring contaminant free pumping. Constructed of rugged deep drawn Stainless Steel for durability and corrosion resistance. Investment Cast Stainless Steel closed impellers for enhanced performance and high efficiencies. All models include Viton® Type 21 mechanical seals and O-rings which offer a broad range of chemical compatibility. Cast Iron motor adapter provides a positive and rigid mounting to motor.

AMT Stainless Steel Straight Centrifugal pumps are reliable, cost effective and low maintenance. Many are readily available "Off-the-Shelf" for fast 24 hour shipment. For use with non-flammable liquids which are compatible with pump component materials.

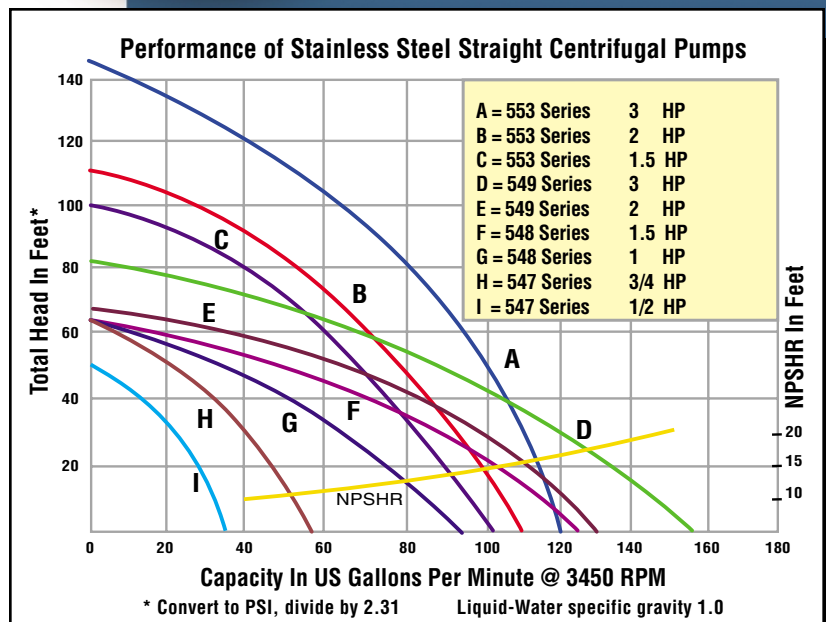
Viton® is a registered trademark of E.I. DuPont



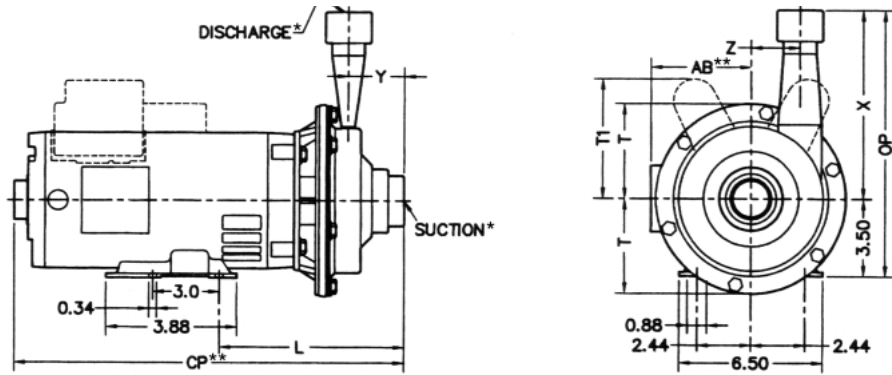
High Volume Pump



High Head Pump



Stainless Steel Straight Centrifugal Pumps



HIGH VOLUME MODELS SPECIFICATIONS AND DIMENSIONAL DATA

Model No.	Curve	HP	PH	ENC	VOLTAGE @ 60 Hz+	FULL LOAD AMPS	SUC*	DIS*	CP**	AB**	L	OP	T	T1**	X	Y	Z	Ship Wt.
5475-98	I	1/2	1	ODP	115/230	10/5	3/4"	1/2"	12.1	3.4	6.5	7.9	3.4	N/A	4.4	2.2	4.1	23 lbs.
5470-98	H	3/4	1	ODP	115/230	13/7	1-1/4"	3/4"	12.6	4.9	6.5	7.9	3.4	N/A	4.4	2.2	4.1	30 lbs.
5471-98	H	3/4	1	TEFC	115/230	9/5	1-1/4"	3/4"	14.0	4.9	6.5	7.9	3.4	N/A	4.4	2.2	4.1	38 lbs.
5472-98	H	3/4	3	ODP	230/460	4/2	1-1/4"	3/4"	12.8	4.9	6.5	7.9	3.4	N/A	4.4	2.2	4.1	36 lbs.
5473-98	H	3/4	3	TEFC	230/460	3/2	1-1/4"	3/4"	13.4	4.9	6.5	7.9	3.4	N/A	4.4	2.2	4.1	31 lbs.
5480-98	G	1	1	ODP	115/230	17/9	1-1/2"	1-1/4"	12.7	4.9	6.1	7.9	3.4	N/A	4.4	1.8	4.0	35 lbs.
5481-98	G	1	1	TEFC	115/230	12/6	1-1/2"	1-1/4"	14.0	4.9	6.1	7.9	3.4	N/A	4.4	1.8	4.0	42 lbs.
5482-98	G	1	3	ODP	230/460	5/3	1-1/2"	1-1/4"	12.8	4.9	6.1	7.9	3.4	N/A	4.4	1.8	4.0	40 lbs.
5483-98	G	1	3	TEFC	230/460	4/2	1-1/2"	1-1/4"	13.6	4.6	6.1	7.9	3.4	N/A	4.4	1.8	4.0	36 lbs.
5484-98	F	1-1/2	1	ODP	115/230	22/11	1-1/2"	1-1/4"	13.0	4.6	6.1	7.9	3.4	N/A	4.4	1.8	4.0	38 lbs.
5485-98	F	1-1/2	1	TEFC	115/230	18/9	1-1/2"	1-1/4"	14.8	4.6	6.1	7.9	3.4	N/A	4.4	1.8	4.0	50 lbs.
5486-98	F	1-1/2	3	ODP	230/460	7/4	1-1/2"	1-1/4"	13.3	4.6	6.1	7.9	3.4	N/A	4.4	1.8	4.0	43 lbs.
5487-98	F	1-1/2	3	TEFC	230/460	5/3	1-1/2"	1-1/4"	14.0	4.9	6.1	7.9	3.4	N/A	4.4	1.8	4.0	39 lbs.
5490-98	E	2	1	ODP	115/230	28/14	2"	1-1/2"	13.7	4.9	6.2	7.9	3.4	N/A	4.4	1.9	4.0	44 lbs.
5491-98	E	2	1	TEFC	115/230	22/11	2"	1-1/2"	15.3	4.6	6.2	7.9	3.4	N/A	4.4	1.9	4.0	56 lbs.
5492-98	E	2	3	ODP	230/460	7/4	2"	1-1/2"	13.9	4.6	6.2	7.9	3.4	N/A	4.4	1.9	4.0	49 lbs.
5493-98	E	2	3	TEFC	230/460	6/3	2"	1-1/2"	14.2	4.6	6.2	7.9	3.4	N/A	4.4	1.9	4.0	44 lbs.
5494-98	D	3	1	ODP	230	18	2"	1-1/2"	15.0	4.9	6.2	7.9	3.4	N/A	4.4	1.9	4.0	54 lbs.
5495-98	D	3	1	TEFC	230	16	2"	1-1/2"	16.2	4.9	6.2	7.9	3.4	N/A	4.4	1.9	4.0	57 lbs.
5496-98	D	3	3	ODP	230/460	9/5	2"	1-1/2"	14.7	4.9	6.2	7.9	3.4	N/A	4.4	1.9	4.0	52 lbs.
5497-98	D	3	3	TEFC	230/460	8/4	2"	1-1/2"	15.7	4.9	6.2	7.9	3.4	N/A	4.4	1.9	4.0	54 lbs.

HIGH HEAD MODELS SPECIFICATIONS AND DIMENSIONAL DATA

Model No.	Curve	HP	PH	ENC	VOLTAGE @ 60 Hz+	FULL LOAD	SUC*	DIS*	CP**	AB**	L	OP	T	T1**	X	Y	Z	Ship Wt.
5538-98	C	1-1/2	1	ODP	115/230	22/11	1-1/2"	1-1/4"	14.5	4.9	7.5	12.0	4.3	N/A	8.5	2.6	2.8	41 lbs.
5539-98	C	1-1/2	1	TEFC	115/230	18/9	1-1/2"	1-1/4"	16.3	4.9	7.5	12.0	4.3	N/A	8.5	2.6	2.8	54 lbs.
553A-98	C	1-1/2	3	ODP	230/460	7/4	1-1/2"	1-1/4"	14.7	4.9	7.5	12.0	4.3	N/A	8.5	2.6	2.8	40 lbs.
553B-98	C	1-1/2	3	TEFC	230/460	5/3	1-1/2"	1-1/4"	15.4	4.9	7.5	12.0	4.3	N/A	8.5	2.6	2.8	49 lbs.
5534-98	B	2	1	ODP	115/230	28/14	1-1/2"	1-1/4"	15.1	4.9	7.5	12.0	4.3	4.6	8.5	2.6	2.2	47 lbs.
5535-98	B	2	1	TEFC	115/230	22/11	1-1/2"	1-1/4"	16.7	4.9	7.5	12.0	4.3	5.2	8.5	2.6	2.2	50 lbs.
5536-98	B	2	3	ODP	230/460	7/4	1-1/2"	1-1/4"	15.2	4.9	7.5	12.0	4.3	N/A	8.5	2.6	2.2	46 lbs.
5537-98	B	2	3	TEFC	230/460	6/3	1-1/2"	1-1/4"	15.5	4.6	7.5	12.0	4.3	N/A	8.5	2.6	2.2	54 lbs.
5530-98	A	3	1	ODP	230	18	1-1/2"	1-1/4"	16.4	4.6	7.5	12.0	4.3	4.6	8.5	2.6	2.2	56 lbs.
5531-98	A	3	1	TEFC	230	16	1-1/2"	1-1/4"	17.5	4.6	7.5	12.0	4.3	5.3	8.5	2.6	2.2	59 lbs.
5532-98	A	3	3	ODP	230/460	9/5	1-1/2"	1-1/4"	16.1	4.6	7.5	12.0	4.3	N/A	8.5	2.6	2.2	55 lbs.
5533-98	A	3	3	TEFC	230/460	8/4	1-1/2"	1-1/4"	17.0	4.9	7.5	12.0	4.3	N/A	8.5	2.6	2.2	58 lbs.

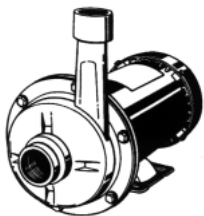
(*) Standard NPT (female) pipe thread.

(**) This dimension may vary due to motor manufacturer's specifications.

(+) 3-Phase motors can also operate on 50 Hz. (This will change Full Load Amps, Service Factor and RPM)

NOTE: Dimensions have a tolerance of $\pm 1/8"$.

NOTE: Electric supply for ALL motors must be within $\pm 10%$ of nameplate voltage rating (Ex. 230V $\pm 10%$ = 207 to 253)



Standard Features

- Stainless Steel Construction
- Investment Cast Stainless Steel Impeller
- Viton® Mechanical Seal and O-Ring (Buna Seal and O-ring optional)
- Cast Iron Motor Adapter Provides Rigid Mounting
- AeroSpace Fusion Welding
- Stainless Steel Hardware
- NEMA 56J ODP & TEFC Single & Three Phase Motors
- 1/2 to 3 HP Models Available
- NEMA Base Mounted Motors
- Stainless Steel Motor Shaft
- Max. Working Pressure up to 150 PSI
- Max. Temperature 200° F
- "Off-the-Shelf" Availability for Many Models

ots
OFF THE SHELF
PUMPS

Viton® is a registered trademark of E.I. DuPont

See price book page 34

The Gorman-Rupp Company reserves the right to discontinue any model or change specifications at any time without incurring any obligation.

CP87-88/0706