



1" Self-Priming Stainless Steel Centrifugal Pumps

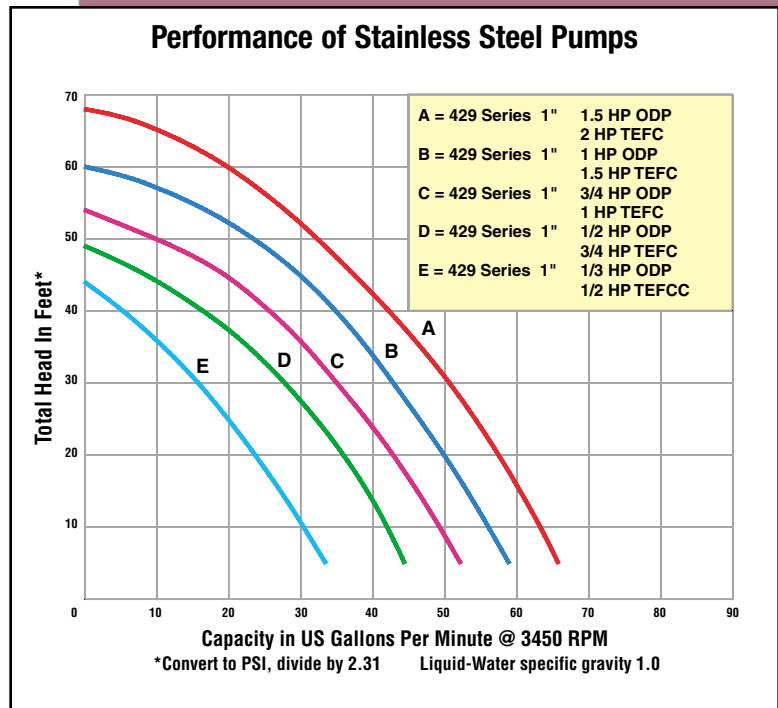
- **300 Series Investment Cast Stainless Steel Construction**
- **Viton® Mechanical Seal and O-Ring**
- **Handles Liquids and Chemicals with Specific Gravities up to 1.6**
- **1" NPT Suction and Discharge Ports**
- **Maximum Working Pressure 75 PSI**
- **Maximum Temperature 200° F**
- **Maximum Flow 66 GPM**
- **Maximum Head 68 ft.**
- **Self-priming to 6 ft.**
- **Self-cleaning, Semi-open Impeller**
- **Available with Open Drip Proof (ODP) or Totally Enclosed Fan Cooled (TEFC) Motor**
- **1/3 to 2 HP Single or Three Phase Motor**

AMT 300 Series Investment cast Stainless Steel Transfer pumps are designed to handle liquids and chemicals with specific gravities to 1.6. The pumps are particularly well suited to applications involving perchloroethylene (PCE) and are recommended for use with non-flammable liquids. These pumps are fitted with Viton® mechanical seal and O-ring. Self-priming to 6 Ft.

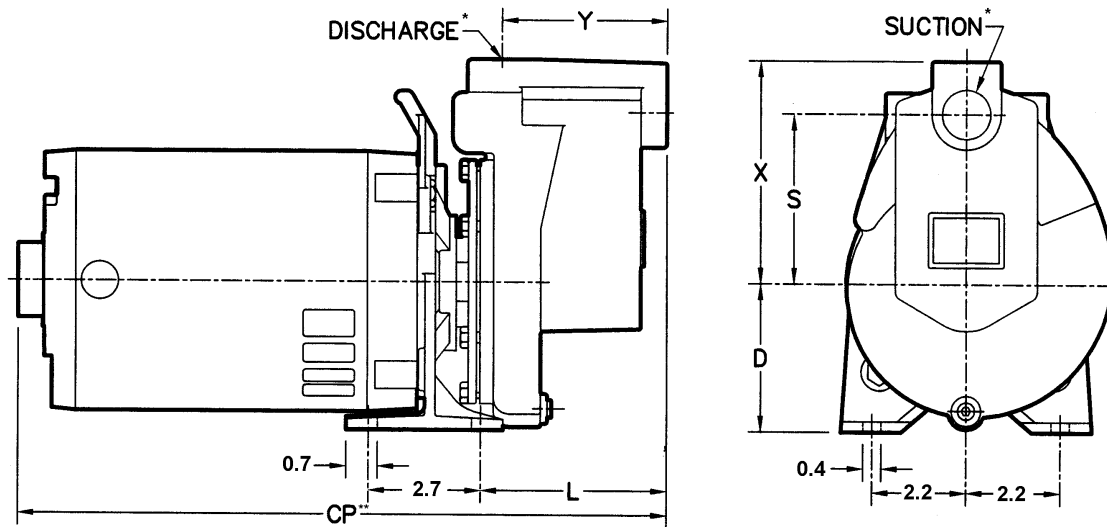
AMT Stainless Steel Transfer pumps are reliable, cost effective and low maintenance. Many are readily available "Off-the-Shelf" for fast 24 hour shipment. For use with non-flammable liquids compatible with pump component materials.



Model 429A-98



1" Self-Priming Stainless Steel Centrifugal Pump



Pump Dimensional & Specification Data

Model No.	CURVE	HP	PH	ENC	Voltage @ 60 Hz+	Full Load Amps	SUC*	DIS*	CP**	D	L	S	X	Y	Ship Wt.
4294-98	E	1/3	1	ODP	115/230	8 / 4	1"	1"	14.1	3.5	4.4	4.0	5.2	3.9	34 Lbs.
4295-98	D	1/2	1	ODP	115/230	10 / 5	1"	1"	14.1	3.5	4.4	4.0	5.2	3.9	38 Lbs.
4296-98	C	3/4	1	ODP	115/230	13 / 7	1"	1"	14.6	3.5	4.4	4.0	5.2	3.9	39 Lbs.
4297-98	B	1	1	ODP	115/230	17 / 9	1"	1"	15.1	3.5	4.4	4.0	5.2	3.9	42 Lbs.
4298-98	A	1-1/2	1	ODP	115/230	22 / 11	1"	1"	15.4	3.5	4.4	4.0	5.2	3.9	45 Lbs.
429F-98	D	1/2	3	ODP	230/460	4 / 2	1"	1"	14.6	3.5	4.4	4.0	5.2	3.9	35 Lbs.
429G-98	C	3/4	3	ODP	230/460	4 / 2	1"	1"	14.8	3.5	4.4	4.0	5.2	3.9	36 Lbs.
429H-98	B	1	3	ODP	230/460	5 / 3	1"	1"	15.2	3.5	4.4	4.0	5.2	3.9	39 Lbs.
429J-98	A	1-1/2	3	ODP	230/460	7 / 4	1"	1"	15.7	3.5	4.4	4.0	5.2	3.9	45 Lbs.
429A-98	E	1/2	1	TEFC	115/230	9 / 5	1"	1"	15.5	3.5	4.4	4.0	5.2	3.9	41 Lbs.
429B-98	D	3/4	1	TEFC	115/230	9 / 5	1"	1"	16.0	3.5	4.4	4.0	5.2	3.9	43 Lbs.
429C-98	C	1	1	TEFC	115/230	12 / 6	1"	1"	16.4	3.5	4.4	4.0	5.2	3.9	46 Lbs.
429D-98	B	1-1/2	1	TEFC	115/230	18 / 9	1"	1"	17.3	3.5	4.4	4.0	5.2	3.9	54 Lbs.
429E-98	A	2	1	TEFC	115/230	22 / 11	1"	1"	17.6	3.5	4.4	4.0	5.2	3.9	65 Lbs.
429K-98	D	3/4	3	TEFC	230/460	3 / 2	1"	1"	15.4	3.5	4.4	4.0	5.2	3.9	40 Lbs.
429L-98	C	1	3	TEFC	230/460	4 / 2	1"	1"	16.0	3.5	4.4	4.0	5.2	3.9	43 Lbs.
429M-98	B	1-1/2	3	TEFC	230/460	5 / 3	1"	1"	16.4	3.5	4.4	4.0	5.2	3.9	51 Lbs.
429N-98	A	2	3	TEFC	230/460	6 / 3	1"	1"	16.5	3.5	4.4	4.0	5.2	3.9	62 Lbs.

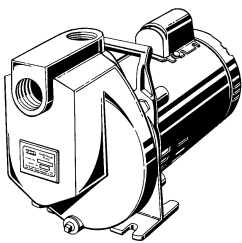
(*) Standard NPT (female) pipe thread.

(**) This dimension may vary due to motor manufacturer's specifications.

(+) 3-Phase models can also operate on 50 Hz (This will change Full Load Amps and Service Factor, RPM and Priming Capabilities).

NOTE: Dimensions have a tolerance of $\pm 1/8"$.

NOTE: Electric supply for **ALL** motors must be within $\pm 10\%$ of nameplate voltage rating (e.g. 230V $\pm 10\%$ = 207 to 253).



Standard Features

- 300 Series Investment Cast Stainless Steel Construction
- Viton® Mechanical Seal and O-Ring
- ODP & TEFC Single and Three Phase Motors
- Self-cleaning, Semi-open Impeller
- Maximum Working Pressure 75 PSI
- Maximum Temperature 200° F
- "Off-the-Shelf" Availability for Many Models



See price book page 23

The Gorman-Rupp Company reserves the right to discontinue any model or change specifications at any time without incurring any obligation.

CP63-64/0706