



INDUSTRIAL DUTY

Straight Centrifugal Pumps

- Available in : **300 Series Investment Cast Stainless Steel, Cast Bronze and Cast Iron with Stainless Steel Impeller Construction**
- **Viton® Mechanical Seal and O-Ring with Stainless Steel and Bronze Models**
- **Buna-N Mechanical Seal and O-Ring with Cast Iron Models**
- **Optional Silicon Carbide Mechanical Seals Available**
- **Discharge Port Rotates in 90° Increments**
- **Maximum Working Pressure 75 PSI**
- **Max. Temperature 200°F**
- **Max. Flow 90 GPM**
- **Max. Head 65 Ft. (28 PSI)**
- **Self-cleaning, Semi-open Impellers**
- **Available with Open Drip Proof (ODP) or Totally Enclosed Fan Cooled (TEFC) 56J Motors**
- **1/3 HP to 2 HP Single and Three Phase, 3450 RPM Motors**

This line of AMT Straight Centrifugal pumps is designed for continuous-duty low pressure OEM, Industrial/Commercial and General Service applications including circulation, chemical processing, liquid transfer and cooling. These durable and compact pumps are available in a variety of construction and seal materials to meet your specification. The line also features a wide selection of single and three phase ODP or TEFC motors, up to 2 horsepower. All models feature Type 6 mechanical seals and O-rings. Pull-from-the-rear design for easy service without disturbing any piping. Self-cleaning impellers to prevent clogging and minimize maintenance.

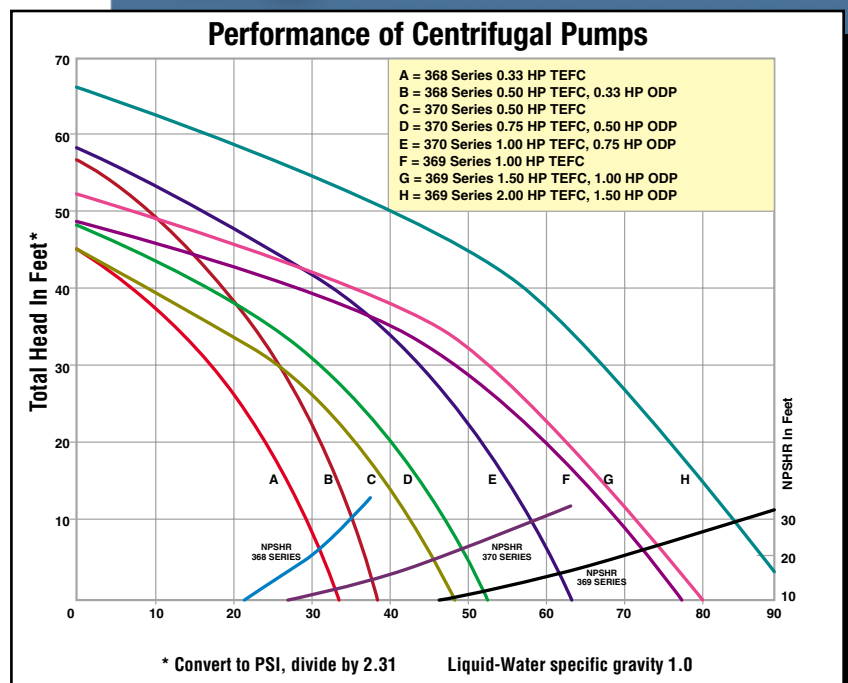
AMT Centrifugal pumps are reliable, cost effective and low maintenance. Many are readily available **“Off-the Shelf”** for fast 24 hour shipment. For use with non-flammable liquids compatible with pump component materials.



Bronze Centrifugal Pump



Stainless Steel Centrifugal Pump



Viton® is a registered trademark of E.I. DuPont

Straight Centrifugal Pumps

Pump Dimensional & Specification Data

MODEL ‡	CURVE	HP	PH	ENG	VOLTAGES 60 HZ +	FULL LOAD AMPS	SUC*	DIS*	AB**	CP**	L	X	Y	Z	ZZ	SHIPPING WT.		
																XCI ‡ (-95)	XB ‡ (-97)	XSS ‡ (-98)
3680	B	1/3	1	ODP	115/230	8 / 4	3/4"	1/2"	2.4	11.8	6.3	1.9	1.4	1.9	2.9	26 lbs.	27 lbs.	26 lbs.
368A	A	1/3	1	TEFC	115/230	7 / 4	3/4"	1/2"	2.4	13.4	6.3	1.9	1.4	1.9	2.9	31 lbs.	32 lbs.	31 lbs.
368B	B	1/2	1	TEFC	115/230	9 / 5	3/4"	1/2"	2.4	13.3	6.3	1.9	1.4	1.9	2.9	33 lbs.	34 lbs.	33 lbs.
3701	D	1/2	1	ODP	115/230	10 / 5	1"	3/4"	3.0	11.9	6.3	2.4	1.4	2.1	3.3	31 lbs.	32 lbs.	31 lbs.
370B	C	1/2	1	TEFC	115/230	9 / 5	1"	3/4"	3.0	13.3	6.3	2.4	1.4	2.1	3.3	33 lbs.	34 lbs.	33 lbs.
3703	D	1/2	3	ODP	230/460	3 / 2	1"	3/4"	3.0	12.4	6.3	2.4	1.4	2.1	3.3	31 lbs.	32 lbs.	31 lbs.
368C	B	1/2	3	TEFC	230/460	3 / 2	3/4"	1/2"	2.4	13.1	6.3	1.9	1.4	1.9	2.9	31 lbs.	32 lbs.	31 lbs.
370F	C	1/2	3	TEFC	230/460	3 / 2	1"	3/4"	3.0	13.2	6.3	2.4	1.4	2.1	3.3	34 lbs.	35 lbs.	34 lbs.
3700	E	3/4	1	ODP	115/230	13 / 7	1"	3/4"	3.0	12.4	6.3	2.4	1.4	2.1	3.3	34 lbs.	35 lbs.	34 lbs.
370A	D	3/4	1	TEFC	115/230	9 / 5	1"	3/4"	3.0	13.8	6.3	2.4	1.4	2.1	3.3	37 lbs.	38 lbs.	37 lbs.
3702	E	3/4	3	ODP	230/460	4 / 2	1"	3/4"	3.0	12.6	6.3	2.4	1.4	2.1	3.3	32 lbs.	33 lbs.	32 lbs.
370C	D	3/4	3	TEFC	230/460	3 / 2	1"	3/4"	3.0	13.2	6.3	2.4	1.4	2.1	3.3	35 lbs.	36 lbs.	35 lbs.
370E	E	1	1	TEFC	115/230	12 / 6	1"	3/4"	3.0	15.1	6.3	2.4	1.3	2.1	3.3	39 lbs.	40 lbs.	39 lbs.
370D	E	1	3	TEFC	230/460	4 / 2	1"	3/4"	3.0	14.2	6.3	2.4	1.3	2.1	3.3	36 lbs.	37 lbs.	36 lbs.
3691	G	1	1	ODP	115/230	17 / 9	1-1/4"	1"	3.0	12.9	6.3	2.5	1.3	2.0	3.4	36 lbs.	N/A.	36 lbs.
369C	F	1	1	TEFC	115/230	12 / 6	1-1/4"	1"	3.0	14.2	6.3	2.5	1.3	2.0	3.4	40 lbs.	N/A.	40 lbs.
3693	G	1	3	ODP	230/460	5 / 3	1-1/4"	1"	3.0	13.0	6.3	2.5	1.3	2.0	3.4	35 lbs.	N/A.	35 lbs.
369F	F	1	3	TEFC	230/460	4 / 2	1-1/4"	1"	3.0	13.8	6.3	2.5	1.3	2.0	3.4	39 lbs.	N/A.	39 lbs.
3690	H	1-1/2	1	ODP	115/230	22 / 11	1-1/4"	1"	3.0	13.3	6.3	2.5	1.3	2.0	3.4	40 lbs.	N/A.	40 lbs.
369A	G	1-1/2	1	TEFC	115/230	18 / 9	1-1/4"	1"	3.0	15.1	6.3	2.5	1.3	2.0	3.4	48 lbs.	N/A.	48 lbs.
3692	H	1-1/2	3	ODP	230/460	7 / 4	1-1/4"	1"	3.0	13.5	6.3	2.5	1.3	2.0	3.4	38 lbs.	N/A.	38 lbs.
369B	G	1-1/2	3	TEFC	230/460	5 / 3	1-1/4"	1"	3.0	14.2	6.3	2.5	1.3	2.0	3.4	40 lbs.	N/A.	40 lbs.
369D	H	2	1	TEFC	115/230	22 / 11	1-1/4"	1"	3.0	15.4	6.3	2.5	1.3	2.0	3.4	52 lbs.	N/A.	52 lbs.
369E	H	2	3	TEFC	230/460	6 / 3	1-1/4"	1"	3.0	14.3	6.3	2.5	1.3	2.0	3.4	50 lbs.	N/A.	50 lbs.

(*) Standard NPT (female) pipe thread.

(**) This dimension may vary due to motor manufacturer's specifications.

(+) 3-Phase motors can also operate on 50 Hz. (This will change Full Load Amps, Service Factor and RPM)

NOTE: Dimensions have a tolerance of ±1/8".

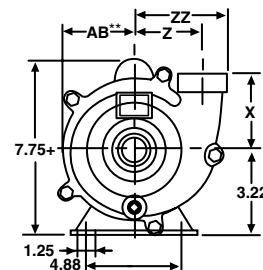
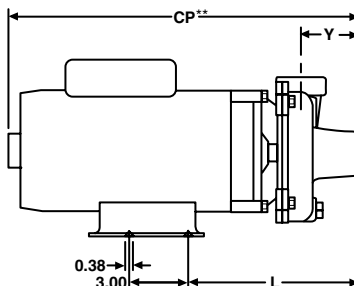
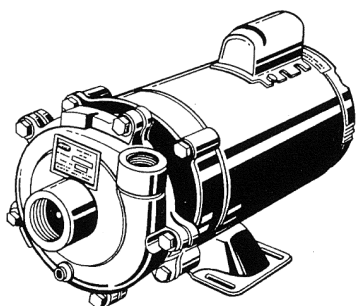
NOTE: Electric supply for ALL motors must be within ±10% of nameplate voltage rating (Ex. 230V ±10%= 207 to 253)

‡ When Ordering Add the Correct-9x Suffix to Model Number Indicating Material Selection (ex: 3680-95)

XCI (-95)=Cast Iron Construction with SS Impeller and Buna-N Seals, Max. Temperature 180°F

XB (-97)=Cast Bronze Construction with Viton® Seals, Max. Temperature 200°F

XSS (-98)=Stainless Steel Construction with Viton® Seals, Max. Temperature 200°F



Standard Features

- ▶ Stainless Steel, Bronze & Cast Iron Construction
- ▶ Buna-N or Viton® Mechanical Seals and O-Rings Depending on Model
- ▶ Stainless Steel Hardware
- ▶ NEMA 56J ODP & TEFC Single and Three Phase Motors
- ▶ Stainless Steel Motor Shaft
- ▶ NEMA Base Mounted Motor
- ▶ Self-cleaning Impeller
- ▶ Discharge Rotates in 90° Increments
- ▶ Maximum Working Pressure to 75 PSI
- ▶ Max. Temperature 200°F (Viton®), 180°F (Buna-N)
- ▶ Front Drain Plug
- ▶ "Off-the-Shelf" Availability for Many Models



Viton® is a registered trademark of E.I. DuPont

See price book pages 30 & 31

The Gorman-Rupp Company reserves the right to discontinue any model or change specifications at any time without incurring any obligation.

CP83-84/0706