



# High Head Straight Centrifugal Pumps

- **300 Series Investment Cast Stainless Steel, Cast Bronze and Cast Iron with Stainless Steel Impeller Construction**
- **Viton® Mechanical Seal and O-Ring with Stainless Steel and Bronze Models**
- **Buna-N Mechanical Seal and O-Ring with Cast Iron Models**
- **Optional Silicon Carbide Mechanical Seals Available**
- **Discharge Port Rotates in 90° Increments**
- **489 Series: 1-1/4" x 1" Ports**
- **490 Series: 1-1/2" x 1 1/4" Ports**
- **Max. Working Pressure 150 PSI**
- **Max. Temperature 200° F**
- **Max. Flow 118 GPM**
- **Max. Head 149 Ft. (65 PSI)**
- **High Efficiency Closed Impeller**
- **Available with Open Drip Proof (ODP) or Totally Enclosed Fan Cooled (TEFC) 56J Motors**
- **1/2 HP to 3 HP Single and Three Phase 3450 RPM Motors**

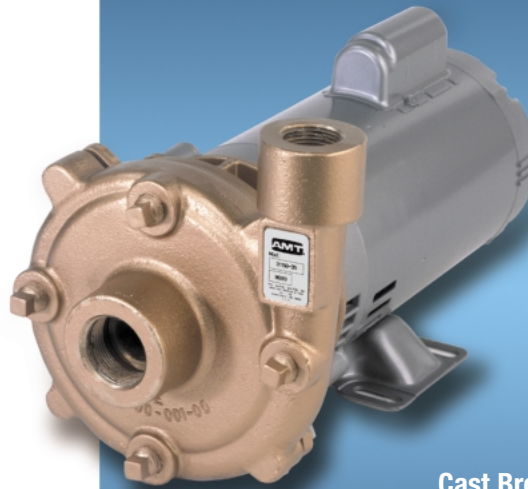
AMT High Head Straight Centrifugal pumps are designed for continuous-duty OEM, Industrial/Commercial and processing applications including circulation, chemical processing, liquid transfer, heating and cooling, sprinkler/fire protection systems and pressure boosting. These heavy duty high pressure pumps are available in a variety of construction and seal materials to meet your specification. The line also features a wide selection of single & three phase ODP or TEFC motors, up to 3 horsepower. All models feature Type 21 mechanical seals and O-rings. Pull-from-the-rear design for easy servicing without disturbing any piping. High efficiency impellers maximize performance.

AMT Centrifugal pumps are reliable, cost effective and low maintenance. Many are readily available "Off-the-Shelf" for fast 24 hour shipment. For use with non-flammable liquids compatible with pump component materials.

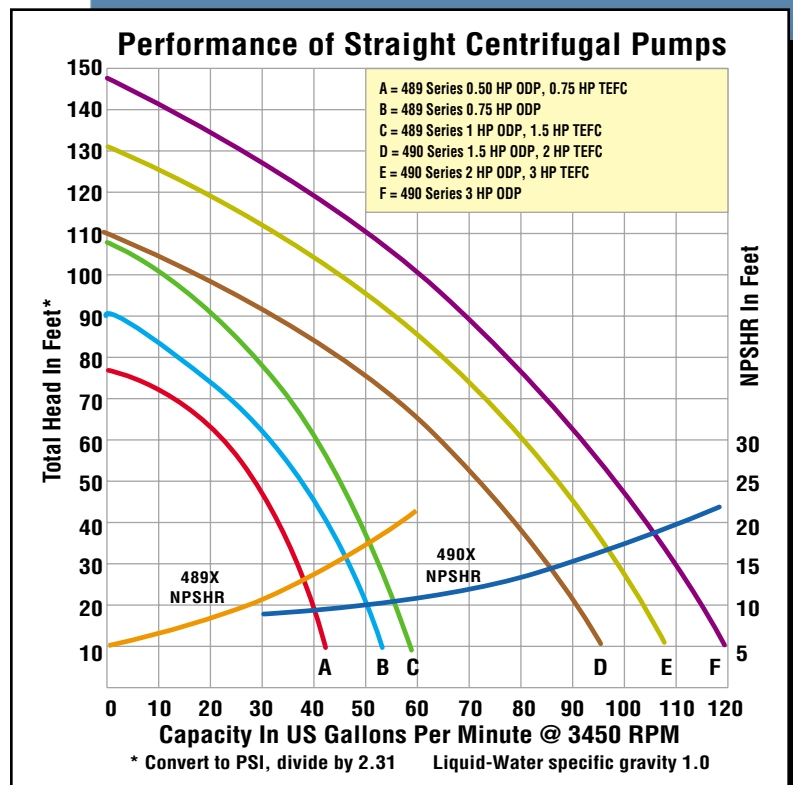
## INDUSTRIAL DUTY



Stainless Steel Model 490A-98



Cast Bronze Model 489-97



# High Head Straight Centrifugal Pumps

## Pump Dimensional & Specification Data

Model	Curve	HP	PH	ENC	VOLTAGE @ 60 Hz+	FULL LOAD AMPS	SUC*	DIS*	CP**	D	E	F	H1	H2	L	OP	T1	T2	W1	W2	X	Y	Z	XCI (-95)	XB (-97)	XSS(-98)
4893	A	1/2	1	ODP	115/230	10/5	1-1/4"	1"	14.8	3.5	2.44	3.00	0.88	0.3	7.3	8.2	3.7	4.7	3.5	4.4	4.7	2.1	3.35	43 lbs.	44 lbs.	43 lbs.
4894	A	1/2	3	ODP	208-230/460	4/2	1-1/4"	1"	13.6	3.5	2.44	3.00	0.88	0.3	7.3	8.2	3.7	4.7	3.5	4.4	4.7	2.1	3.35	43 lbs.	41 lbs.	43 lbs.
489C	A	3/4	1	TEFC	115/230	9/5	1-1/4"	1"	16.3	3.5	2.44	3.00	0.88	0.3	7.3	8.2	3.7	4.7	3.5	4.4	4.7	2.1	3.35	46 lbs.	49 lbs.	46 lbs.
489D	A	3/4	3	TEFC	230/460	3/2	1-1/4"	1"	14.2	3.5	2.44	3.00	0.88	0.3	7.3	8.2	3.7	4.7	3.5	4.4	4.7	2.1	3.35	44 lbs.	47 lbs.	44 lbs.
4895	B	3/4	1	ODP	115/230	13/7	1-1/4"	1"	15.7	3.5	2.44	3.00	0.88	0.3	7.3	8.2	3.7	4.7	3.5	4.4	4.7	2.1	3.35	44 lbs.	45 lbs.	44 lbs.
4896	B	3/4	3	ODP	208-230/460	4/2	1-1/4"	1"	14.0	3.5	2.44	3.00	0.88	0.3	7.3	8.2	3.7	4.7	3.5	4.4	4.7	2.1	3.35	44 lbs.	42 lbs.	44 lbs.
4890	C	1	1	ODP	115/230	17/9	1-1/4"	1"	14.2	3.5	2.44	3.00	0.88	0.3	7.3	8.2	3.7	4.7	3.5	4.4	4.7	2.1	3.35	47 lbs.	48 lbs.	47 lbs.
4891	C	1	3	ODP	208-230/460	5/3	1-1/4"	1"	13.4	3.5	2.44	3.00	0.88	0.3	7.3	8.2	3.7	4.7	3.5	4.4	4.7	2.1	3.35	45 lbs.	46 lbs.	45 lbs.
489A	C	1-1/2	1	TEFC	115/230	18/9	1-1/4"	1"	16.1	3.5	2.44	3.00	0.88	0.3	7.3	8.2	3.7	4.7	3.5	4.4	4.7	2.1	3.35	55 lbs.	58 lbs.	55 lbs.
489B	C	1-1/2	3	TEFC	230/460	5/3	1-1/4"	1"	15.2	3.5	2.44	3.00	0.88	0.3	7.3	8.2	3.7	4.7	3.5	4.4	4.7	2.1	3.35	53 lbs.	56 lbs.	53 lbs.
4902	D	1-1/2	1	ODP	115/230	22/11	1-1/2"	1-1/4"	15.5	3.5	2.44	3.00	0.88	0.3	8.8	8.4	4.0	4.9	3.9	4.7	4.9	3.0	3.49	57 lbs.	64 lbs.	57 lbs.
4903	D	1-1/2	3	ODP	208-230/460	7/4	1-1/2"	1-1/4"	15.7	3.5	2.44	3.00	0.88	0.3	8.8	8.4	4.0	4.9	3.9	4.7	4.9	3.0	3.49	54 lbs.	58 lbs.	54 lbs.
490C	D	2	1	TEFC	115/230	22/11	1-1/2"	1-1/4"	18.0	3.5	2.44	3.00	0.88	0.3	8.8	8.4	4.0	4.9	3.9	4.7	4.9	3.0	3.49	65 lbs.	72 lbs.	62 lbs.
490D	D	2	3	TEFC	230/460	6/3	1-1/2"	1-1/4"	17.5	3.5	2.44	3.00	0.88	0.3	8.8	8.4	4.0	4.9	3.9	4.7	4.9	3.0	3.49	60 lbs.	67 lbs.	63 lbs.
490A	E	2	1	ODP	115/230	28/14	1-1/2"	1-1/4"	16.8	3.5	2.44	3.00	0.88	0.3	8.8	8.4	4.0	4.9	3.9	4.7	4.9	3.0	3.49	63 lbs.	62 lbs.	63 lbs.
4905	E	2	3	ODP	208-230/460	7/4	1-1/2"	1-1/4"	16.5	3.5	2.44	3.00	0.88	0.3	8.8	8.4	4.0	4.9	3.9	4.7	4.9	3.0	3.49	58 lbs.	62 lbs.	58 lbs.
490A	E	3	1	TEFC	230	16	1-1/2"	1-1/4"	17.1	3.5	2.44	3.00	0.88	0.3	8.8	8.4	4.0	4.9	3.9	4.7	4.9	3.0	3.49	74 lbs.	76 lbs.	71 lbs.
490B	E	3	3	TEFC	230/460	8/4	1-1/2"	1-1/4"	16.0	3.5	2.44	3.00	0.88	0.3	8.8	8.4	4.0	4.9	3.9	4.7	4.9	3.0	3.49	66 lbs.	73 lbs.	69 lbs.
4900	F	3	1	ODP	230	18	1-1/2"	1-1/4"	15.0	3.5	2.44	3.00	0.88	0.3	8.8	8.4	4.0	4.9	3.9	4.7	4.9	3.0	3.49	69 lbs.	73 lbs.	69 lbs.
4901	F	3	3	ODP	208-230/460	9/5	1-1/2"	1-1/4"	15.2	3.5	2.44	3.00	0.88	0.3	8.8	8.4	4.0	4.9	3.9	4.7	4.9	3.0	3.49	64 lbs.	68 lbs.	69 lbs.

(\*) Standard NPT (female) pipe thread.

(\*\*) This dimension may vary due to motor manufacturer's specifications.

(+) 3-Phase motors can also operate on 50 Hz. (This will change Full Load Amps, Service Factor and RPM)

NOTE: Dimensions have a tolerance of  $\pm 1/8"$ .

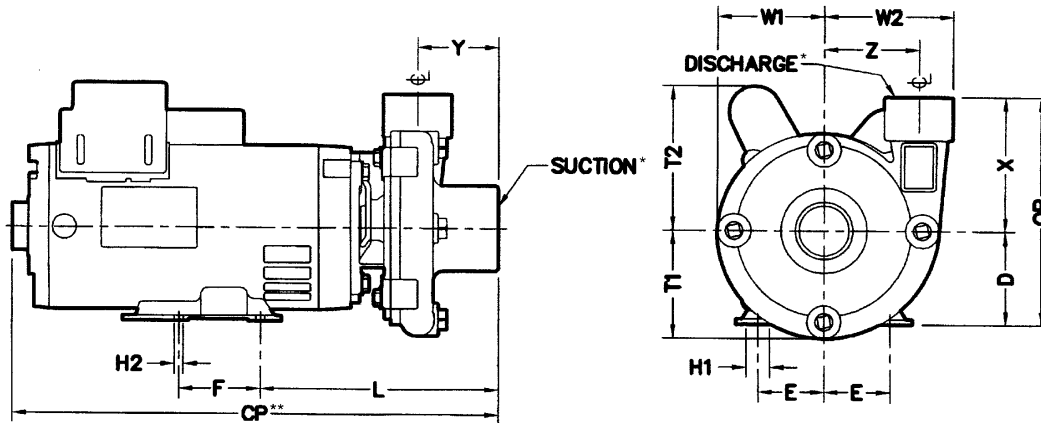
NOTE: Electric supply for ALL motors must be within  $\pm 10\%$  of nameplate voltage rating (Ex. 230V  $\pm 10\%$  = 207 to 253)

† When Ordering Add the Correct-9x Suffix to Model Number Indicating Material Selection (ex: 4893-95)

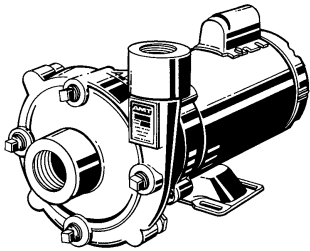
XCI (-95)=Cast Iron Construction with SS Impeller and Buna-N Seals, Max. Temperature 180°F

XB (-97)=Cast Bronze Construction with Viton® Seals, Max. Temperature 200°F

XSS (-98)=Stainless Steel Construction with Viton® Seals, Max. Temperature 200°F



## Standard Features



- 300 Series Investment Cast Stainless Steel, Bronze & Cast Iron Construction
- Buna-N or Viton® Mechanical Seal and O-Rings Depending on Model
- Stainless Steel Hardware
- NEMA 56J ODP & TEFC Single and Three Phase 3450 RPM Motors
- Stainless Steel Motor Shaft
- NEMA Base Mounted Motors
- High Efficiency Closed Impeller
- Discharge Rotates in 90° Increments
- Maximum Working Pressure to 150 PSI
- Max. Temperature 200° F (Viton®), 180° F (Buna-N)
- Four Front Drain Plugs, Located 90° Apart
- "Off-the-Shelf" Availability for Many Models